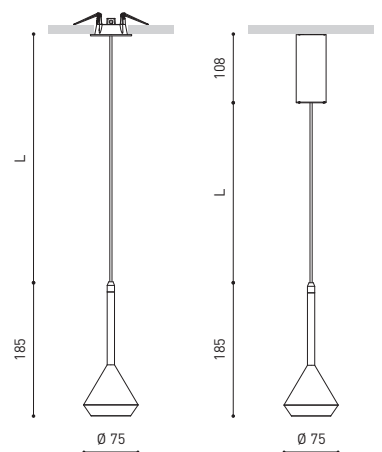




						W	K	mA	Lm	%Eff
SPIN	A222-	⊙ -2-11-	WT   NT			7W	3000K	700	602	88%
	A222-	⊙ -2-12-	WT   NT			7W	4000K	700	634	88%

						W	K	mA	Lm	%Eff
SPIN BASE	A221-	⊙ -2-11-	WT   NT			7W	3000K	700	602	88%
	A221-	⊙ -2-12-	WT   NT			7W	4000K	700	634	88%



SPIN \*\*

SPIN BASE \*\*\*

⊙	CORD LENGTH - L
0	2 m
1	3 m

SPIN Cord Accessory

0223-00-00- | WT | NT |



\* OTHER DIM PLEASE CONSULT

COLOUR | WT  | NT  |

MATERIAL | AL | PMMA |

\*\* 0,56 Kg

\*\*\* 0,60 Kg

250x150x105 mm



LED 39° | 7 W

C90 - C270		3000 K				4000 K			
		h (m)	d (m)	E <sub>med</sub> (lux)	E <sub>max</sub> (lux)	h (m)	d (m)	E <sub>med</sub> (lux)	E <sub>max</sub> (lux)
<b>CIE</b> η L: 0.88 88-97-99-100-88  <b>DIN</b> A60 <b>UTE</b> 0.88 A <b>CIBSE</b> BZ 1  η = 88%	1	0.72	367	878	1	0.72	367	924	
	2	1.43	92	219	2	1.43	97	231	
	3	2.15	41	98	3	2.15	43	103	
	4	2.86	23	55	4	2.86	24	58	

\* OTHER DIM PLEASE CONSULT

COLOUR | WT □ | NT ■ |

MATERIAL | AL | PMMA |

\*\* 0,56 Kg

\*\*\* 0,60 Kg

250x150x105 mm